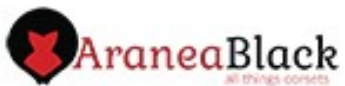
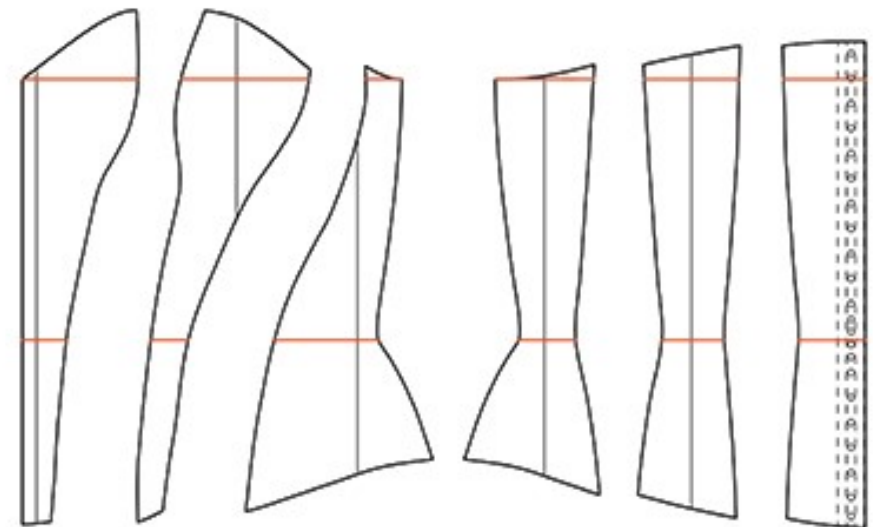


From overbust to underbust 1 / 5

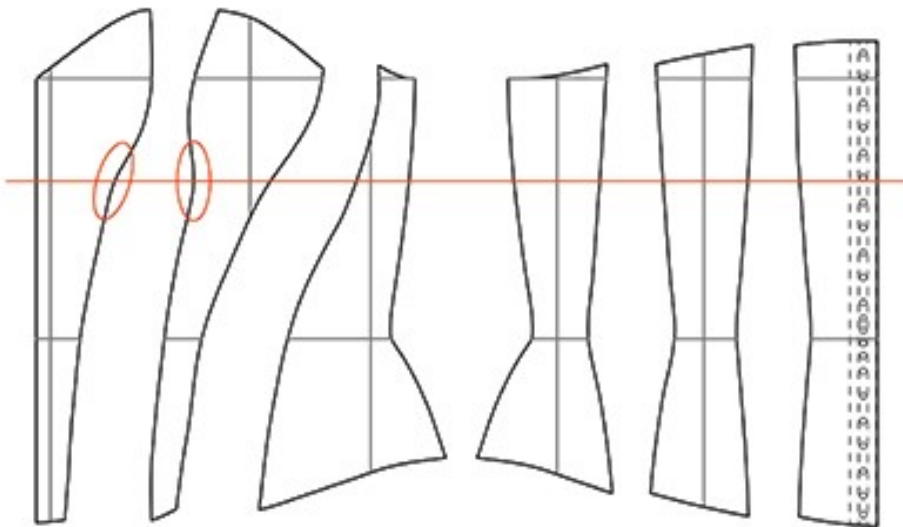
Take an overbust patten & locate its waist and bust circumference lines (if the pattern doesn't have them marked already).





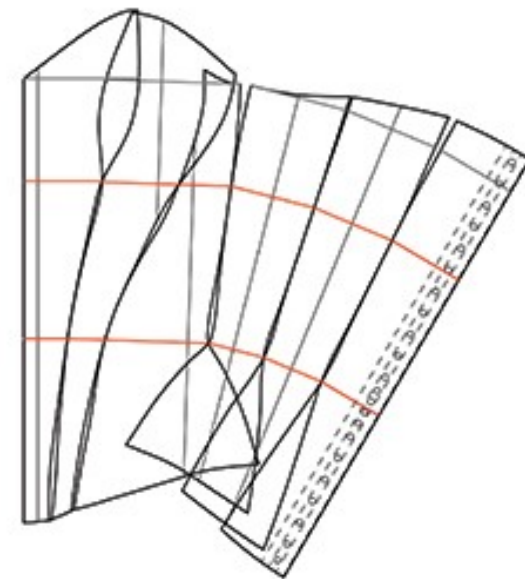
From overbust to underbust 2 / 5

Underbust line is usually located right under the “breast cup” bust curve. Draw a line parallel line to the waist.



From overbust to underbust 3 / 5

Arrange pieces in such a way that their sides touch each other on the waist to underbust length. Tape them together.

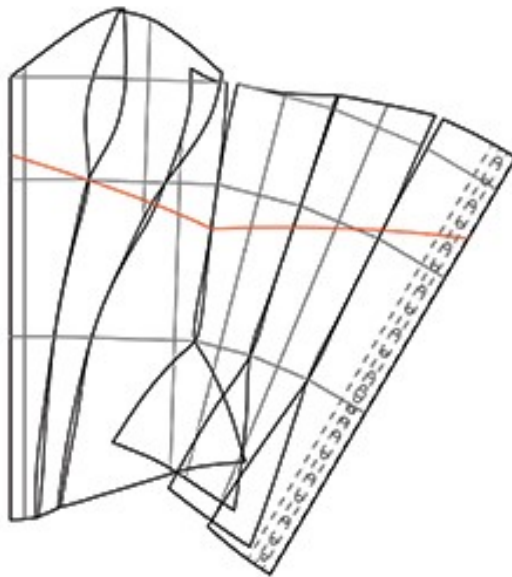




From overbust to underbust 4 / 5

Draw the new top edge shape based on your design.

Gently remove sticky tape.

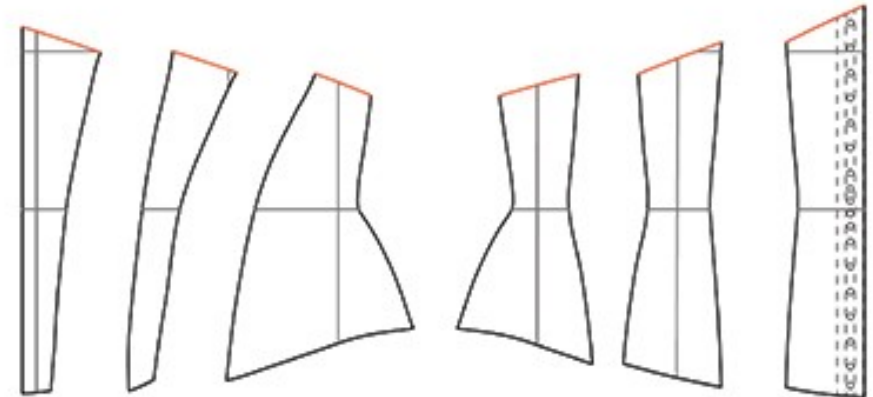


From overbust to underbust 5 / 5

Cut the new edge shape.
Your pattern is ready to use!

Don't forget to make a mockup.

Happy sewing!!!





Don't forget to check out Aranea Black web page www.araneablack.com
for more free corset patterns,
corset construction instructions and other useful information!

You can make and sell as many garments as you like
from using AraneaBlack patterns.



Feel free to send an email to Aranea Black if you are
experiencing any difficulties with the content,
have any questions or suggestions.

I'm always interested in hearing from you!
araneablack@araneablack.com

For a look behind the scenes, follow
Aranea Black on social media
www.facebook.com/AraneaBlackCorsets/
www.instagram.com/araneablackcorsets/
www.twitter.com/DuchessMorgoth

Use **#araneablackpattern** when posting your corset projects based on Aranea Black corset patterns to
spread free corset hugs!